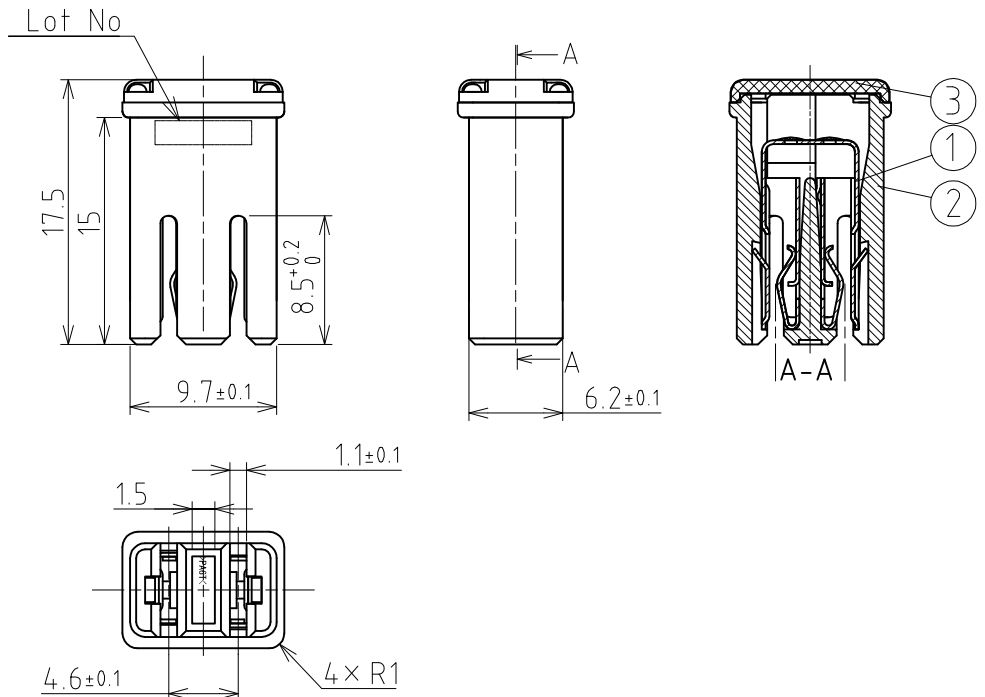
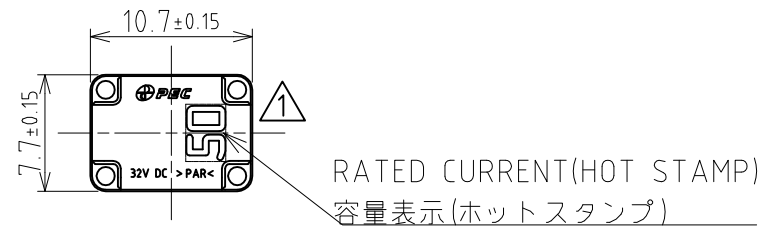


NO.	DATE	REVISION RECORDS	REVISED	REVISION NO.
-	23/JAN/2018	RELEASE OF DWG	KUYA	-
△1	15/MAR/2018	DRAWING ARRANGEMENT(CHANGE HOT STAMP CHARACTER)	KUYA	-
-	-	-	-	-



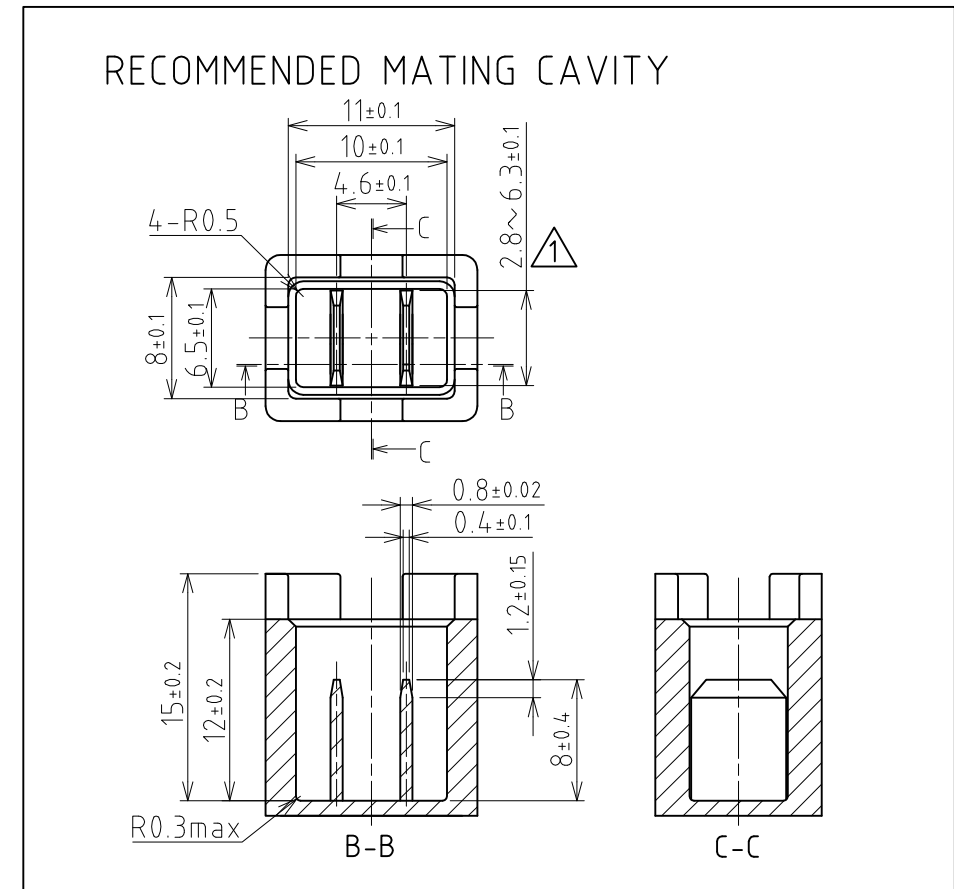
< 注記 >

1. 本図はSBFC-MS 50Aを示し、他の体格は容量表示とハウジング色が異なる。
2. 定格表示の位置は図面指示部またはカバーを180°回転させた図面指示部とする。
3. 太平洋精工規定(PES-02-04)の環境負荷物質の使用禁止、制限規定を遵守のこと。
- △4. ヒューズ性能：PES-A68-023に準ずる。

< NOTE >

1. THIS SHOWS SBFC-MS 50A, ANOTHER IS DIFFERENT IN HOUSING COLOR AND INDICATION OF COVER.
2. AMPERE RATING SHALL BE MARKED EITHER ON THE INDICATED POSITION IN THIS DRAWING OR THE SAME POSITION WHEN THE COVER IS REVOLVED BY 180°.
3. COMPLY WITH ENVIRONMENTAL RESTRICTION AND PROHIBITION WHICH PRESCRIBED UNDER "PES-02-04".
- △4. FUSE PERFORMANCE IS BASED ON PES-A68-023.

CURRENT RATING	PART NO.	PACKAGING PART NO.	HOUSING COLOR CODE
15A	31250000	31250001	GRAY
20A	31450000	31450001	LIGHT BLUE
25A	31550000	31550001	WHITE
30A	31650000	31650001	PINK
40A	31750000	31750001	GREEN
50A	31850000	31850001	RED
60A	31950000	31950001	YELLOW



3	————	COVER	1	PAR	—	PURPLE
2	————	HOUSING	1	PA6T	—	————
1	————	ELEMENT	1	Cu Alloy	—	t0.25, Tin plating
NO.	PART NO.	PART NAME	Q'TY	MATERIAL	SIZE	REMARKS

APPROVED	<i>Miyata</i>	DIMENSION TOLERANCE	ANGULAR TOLERANCE	FINISH	
CHECKED	<i>T. Kobayashi</i>	±0.3	-	-	
DESIGNED	<i>Y. Kuya</i>	RUST PREVENTION	MATERIAL		
DRAWN	<i>Y. Kuya</i>	-	-		

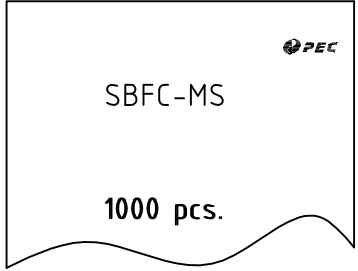

SCALE	UNIT	DIAGRAM METHOD	PART NAME
2:1	mm	THIRD ANGLE PROJECTION	SBFC-MS
DRAWING DATE	DRAWING NAME	3D CAD DATA	PART NO.
15/MAR/2018	G3125-0-1	-	SEE TABLE

Pacific Engineering Corporation

SHEET	SIZE
1 / 2	A3

NO.	DATE	REVISION RECORDS	REVISED	REVISION NO.
-	-	REFER TO 1/2	-	-
-	-	-	-	-
-	-	-	-	-

Packaging specification

	Inner packaging	Outer packaging
Material	Plastic bag (0.07×230W×285H)	Cardboard box (390×260×121)
seal of part no.		ID tag
Marking	 <p>Character color M:Black</p>	
Capacity	1,000 pcs	4 bags(4,000pcs)
Method	<ol style="list-style-type: none"> Put 1,000pcs. into the specified plastic bag. Arrange two plastic bags in the cardboard box and pile up then one more step. Total 4 bags are put in a cardboard box. Seal the cardboard box with PP Tape and put the ID tag on the side of the box (Prescribed place). 	

packaging information

NO.	PART NO.	PART NAME	Q'TY	MATERIAL	SIZE	REMARKS				
APPROVED	<i>man-ten</i>	DIMENSION TOLERANCE		ANGULAR TOLERANCE	FINISH					
CHECKED	<i>T. Kobayashi</i>	±0.3		-	-					
DESIGNED	<i>Y. Funya</i>	RUST PREVENTION		MATERIAL						
DRAWN	<i>Y. Funya</i>	-		-						
SCALE	UNIT	DIAGRAM METHOD	PART NAME							
-	mm	THIRD ANGLE PROJECTION	SBFC-MS							
DRAWING DATE	DRAWING NAME	3D CAD DATA	PART NO.							
15/MAR/2018	G3125-0-1	-	-							
Pacific Engineering Corporation						<table border="1"> <tr> <td>SHEET</td> <td>SIZE</td> </tr> <tr> <td>2 / 2</td> <td>A3</td> </tr> </table>	SHEET	SIZE	2 / 2	A3
SHEET	SIZE									
2 / 2	A3									