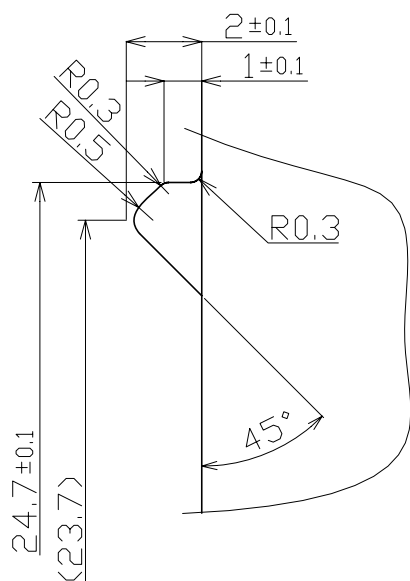
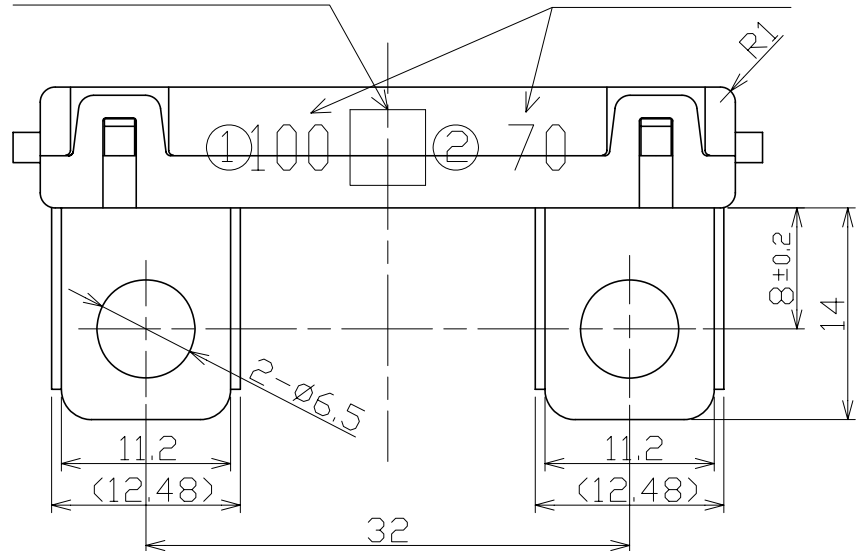
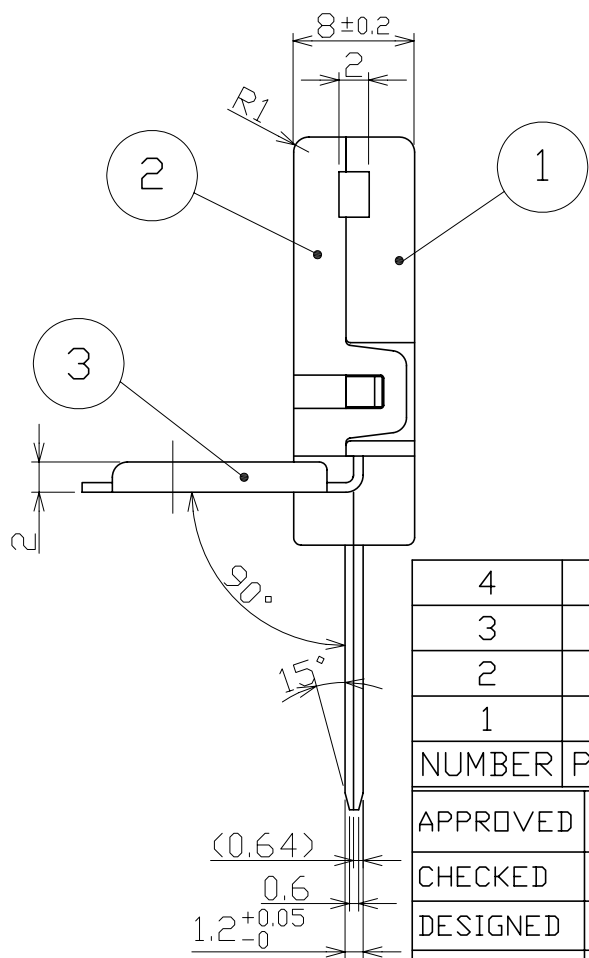
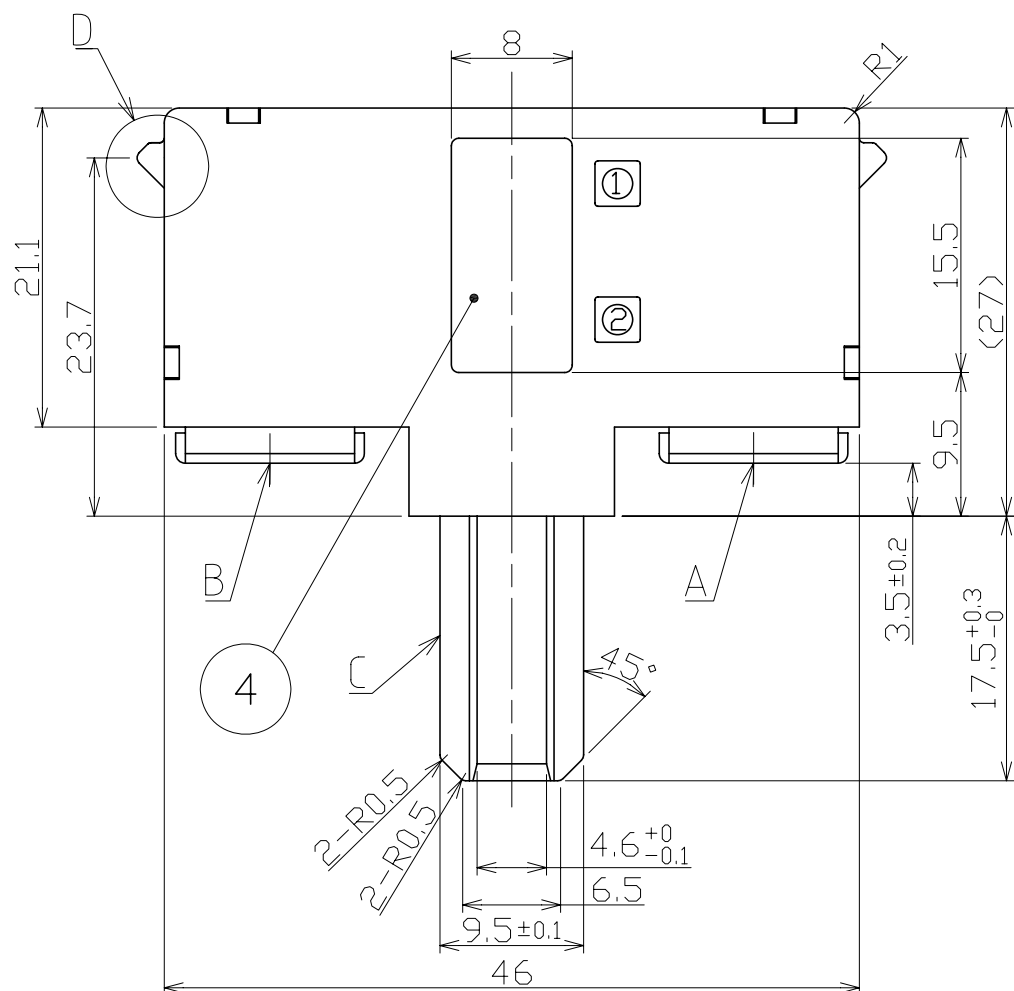


DISTINGUISHING MARK RATED CURRENT

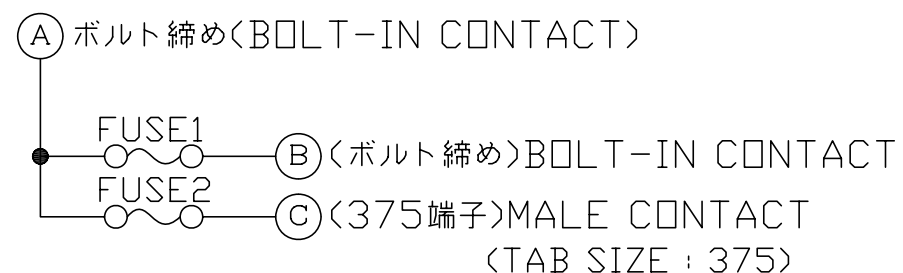


DETAIL AREA D(5:1)



NO.	DATE	REVISION RECORD	SIGN	E.C.N.NO.
△	'08.01.16	addition of 120A/60A	HARA	-
△	'08.06.27	addition of HONDA PART NUMBER	HARA	-
△	'13.01.22	製品名称変更。PART NAME CHANGE	HARA	-

<回路構成 CIRCUIT DIAGRAM>



<ヒューズ容量 FUSE RATING>

	FUSE1	FUSE2	識別表示 DISTINGUISHING MARK	PEC品番 PEC PART NUMBER
1	100A	70A	■	3580-00*0
2	120A	70A	■	3581-00*0
3	100A	40A	■	3582-00*0
4	120A	40A	■	3583-00*0
5	100A	60A	■	3584-00*0
6	80A	50A	■	3585-00*0
7	80A	70A	■	3589-00*0
8	100A	30A	■	3579-00*0
9	60A	50A	■	3621-00*0
△ 10	120A	60A	■	3622-00*0

4	-	COVER	1	PAR		PURPLE
3	-	ELEMENT	1	COPPER ALLOY	t0.8	
2	-	HOUSING2	1	PA6T		BLACK
1	-	HOUSING1	1	PA6T		BLACK
NUMBER	PART NUMBER	PART NAME	Q'TY	MATERIAL	SIZE	REMARKS
APPROVED	<i>al Oato</i>	DATE		MATERIAL	DIMENSION TOLERANCE	ANGULAR TOLERANCE
CHECKED	<i>mlr</i>	DATE		SEE TABLE	±0.3	-
DESIGNED	<i>F, Kawase</i>	DATE		COAXIAL TOLERANCE	FINISH	RUST PREVENTION
DRAWN	<i>K. HARA</i>	DATE		-	-	-
SCALE	2:1	UNIT	mm	DIAGRAM METHOD	THIRD ANGLE PROJECTION	PART NAME
DRAWING DATE	'13.01.22	DRAWING NAME	G3580-0-5	PART NO. △ MUSB-A		
						☒ 中参照 SEE TABLE